



**BRYSTON**

Model T & Model A Series **Loudspeakers**



INTRODUCTION	2
FINISHES	3
DESIGN PRINCIPLES	5
MODEL T	9
MIDDLE T	11
MINI T	13
TC1	15
TC1 MINI	17
MODEL T SUB	19
MINI T SUB	19
MODEL A1	21
MODEL A2	23
MODEL A3	25
MINI A	27
AC1 MINI CENTER	28
AC1 MICRO CENTER	29
MODEL A SUB	30
TIW IN-WALL	31
TOW ON-WALL	32
SPECIFICATIONS	33

Bryston Ltd.  
677 Neal Drive  
Peterborough, Ontario  
K9J 6X7 | Canada

1-705-742-5325  
contact@bryston.com  
www.bryston.com

All Bryston loudspeakers are proudly manufactured in Canada. When purchased new from an authorized dealer, Bryston guarantees each loudspeaker for 20 years against defects in materials or workmanship. See [www.bryston.com](http://www.bryston.com) for details.



Made In  
Canada

**B**ecause Bryston has enjoyed great success in both the high-performance home audio market and the professional recording industry, we've developed a unique perspective when it comes to the lofty goal of accurately translating a recording from the studio master all the way to the home listening space. For as long as Bryston has been manufacturing world-class audio amplifiers and electronics, we have had the pleasure of listening to many of the finest loudspeakers available. Each model has excelled in some ways and fallen short in others.

In 2010, I began a personal quest to develop the ultimate loudspeaker - a model that would reproduce the full dynamic capability of music while remaining tonally neutral, crystal clear, and capable of capturing the subtle nuances of any recording. After collaborating with highly respected loudspeaker engineers for two years, the Model T was born. Initially, it was a personal R&D project resulting in a single pair of speakers for my reference system. But upon hearing them, my associates convinced me that I should offer them for sale under the Bryston banner since they so clearly embody the values we hold dear. Public response has been overwhelmingly positive and has enabled us to develop multiple offerings that each epitomize the ethos of Bryston but are useful to a much wider range of music and movie enthusiasts. Once you have treated yourself to a personal audition of our speakers, I hope you will become as enthusiastic about their performance and value as I remain today.

**James Tanner, Vice President**







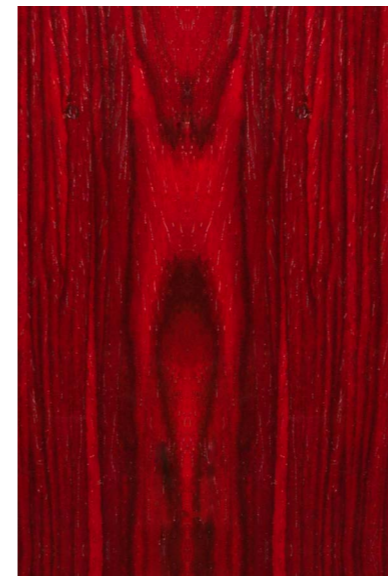
Natural Cherry



Boston Cherry



Black Ash



Red Rosewood



Walnut

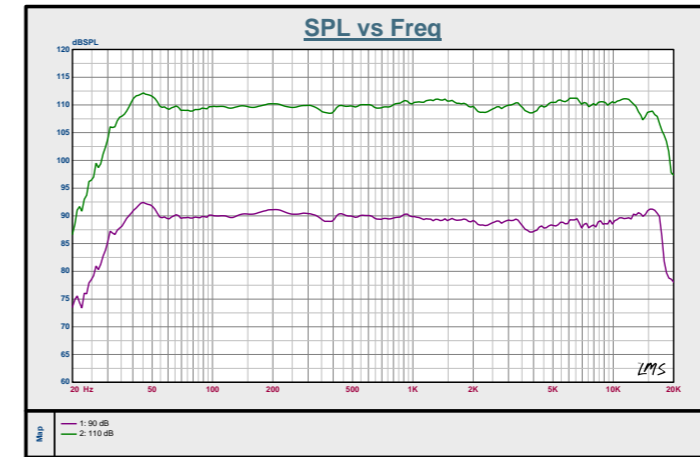
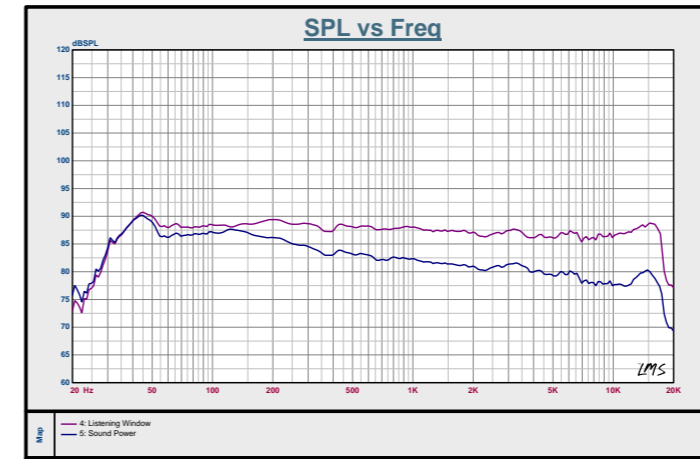


Your Custom  
Finish

# Luxurious and Rugged **FINISH OPTIONS**

Order your Model T or Model A series loudspeakers finished in the beautifully lacquered fine hardwood of your choosing to complement your home décor. In addition to the in-stock Natural Cherry, Boston Cherry, and Black Ash shown in the top row, a larger selection of natural wood veneers is available at premium pricing. Highly durable vinyl veneers can also be selected for any Bryston freestanding or stand-mounted loudspeaker.





More useful than a single on-axis frequency response plot is that of the listening window - an average of measurements taken on and slightly off axis. Note the superb linearity and absence of major peaks and dips that cause audible tonal errors.

Sound power is a weighted average of the speaker's total radiated energy. Excellent linearity here coincides with superb soundstaging and remarkable balance in the room.

Dynamic compression, or the inability to maintain composure under high playback levels plagues many loudspeakers. Bryston's astonishing lack of compression brings a lifelike realism to dynamic events in music and movie soundtracks without introducing artifacts that might disrupt your enjoyment.

At left, note that the frequency response of the speaker at a punishing 110dB is virtually identical to that of the speaker at a more common level of 90dB. This is astonishing performance regardless of price.

**A** Extraordinary dynamic range and lack of compression has been achieved by developing drivers that are efficient, capable of high power handling and extraordinarily low levels of distortion. We also use multiple drive units in parallel so that the system can play louder with less effort than a single driver solution.

**B** Essential to the clarity and neutrality of our speakers are well engineered crossover networks. Whether internal (standard) or external (Signature Edition), these not only divide the full spectrum of sound across different drivers, but also are used to correct even small non-linearities found in our driver elements.

**C** Thick walls, up to a 1½ inch thick front baffle, and a precisely designed network of internal braces ensure that the cabinet is all but perfectly inert and contributes virtually no sonic signature of its own. With no cabinet resonances, you only hear the beautiful sound of your recordings.

**D** Thorough understanding of fluid dynamics led us to develop a fluted port profile which eliminates vent noise even at extreme pressures. This mastery of engineering enabled us to utilize the advantages of a vented system without the turbulent distortion frequently associated with ports.

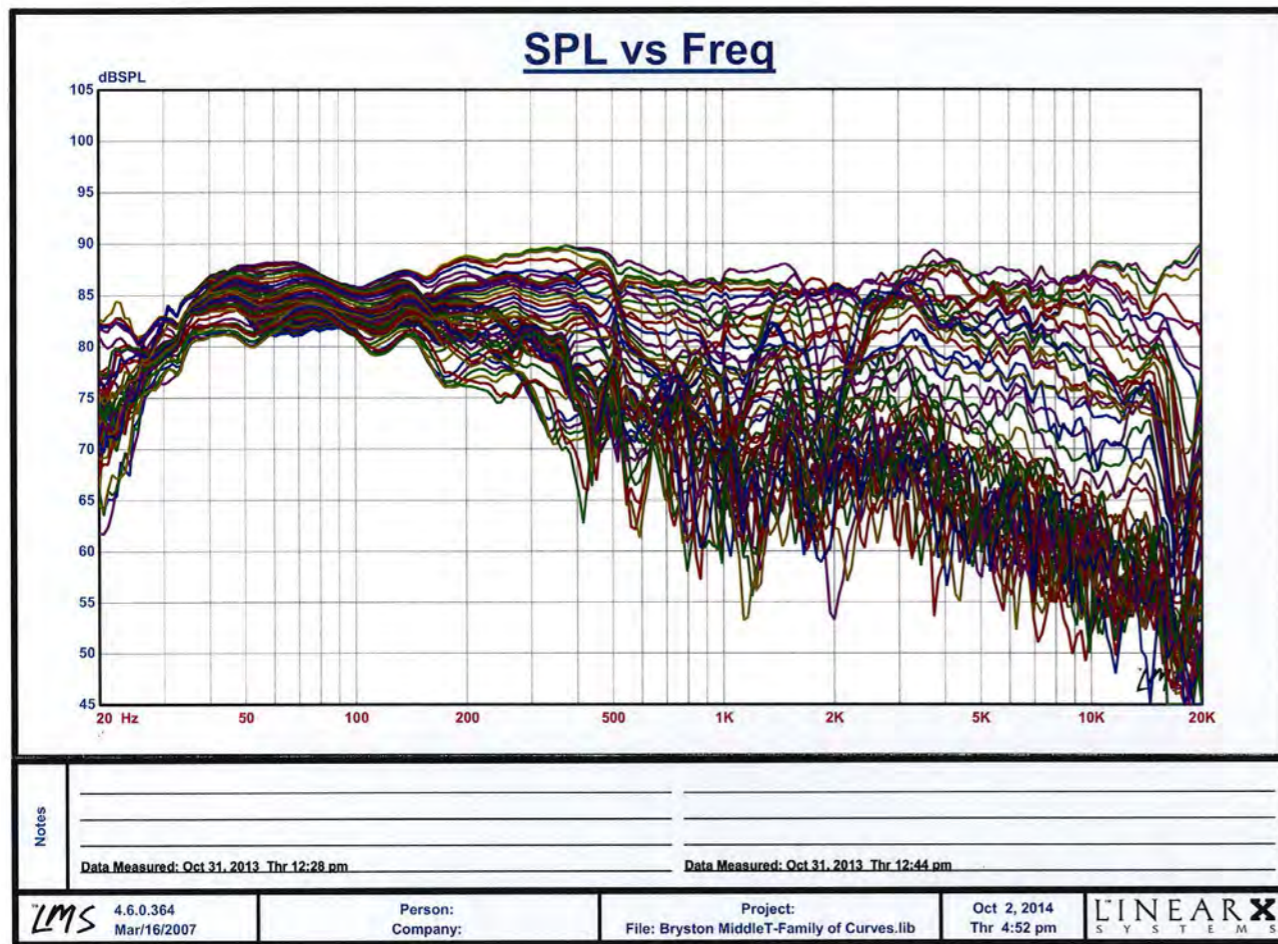
**E** Bryston carefully engineered drivers to achieve excellent performance and reliability parameters using advanced modeling and finite element analysis tools. Once initially developed, we verified performance and durability in our anechoic chamber and accelerated life test facility.

# Masterful DESIGN

Our loudspeaker engineers enjoy a rare asset - an on-site anechoic chamber. Stocked with state-of-the-art lab equipment, expert engineers, and a proven development regimen, we are able to innovate based on scientific data. By optimizing power response, we

are able to achieve superb in-room neutrality and accuracy. Bryston speakers' lack of dynamic compression breathes a sense of realism and life into recorded sounds. Form and function are inseparable. Though elegant in appearance, every element of Bryston loudspeakers is designed to satisfy a sonic goal. Our careful development and rigorous engineering has resulted in world-class products, performance, and the confidence to guarantee our speakers for 20 years.





What you see above are measurements of radiated sound taken from points on a sphere surrounding a Bryston loudspeaker. Only those of us with decades of experience researching the correlation between measured performance and perceived excellence could see such chaos and know the speaker will sound amazing.

We all know that on-axis frequency response—the balance of tones we hear from directly in front of a loudspeaker—is a critical function of perceived neutrality. A less understood component of sound quality is the proper balance of sound loudspeakers radiate from all directions *not* directly in front of a loudspeaker. These sounds reflect off of our surroundings before arriving at our ears and cue our brains to synthesize spatial information about the recording and our listening rooms.

Bryston’s goal is not to eliminate the listening room; that’s impractical. Rather, our loudspeakers work *with* your listening room to transport you to the space in your favorite music and movie soundtracks.

More than three decades of psychoacoustic research has resulted in proprietary algorithms which process these seemingly chaotic plots to calculate listening window and sound power. Our algorithms have matured into highly reliable correlations with preferences identified by listeners in controlled blind listening sessions.

Achieving excellent results starts with the drivers. Bryston drivers are both massively powerful and capable of wide bandwidth. Their robust metal diaphragms, carefully tuned suspensions, and FEA optimized magnetic motors are pistonically well beyond

their primary operating range ensuring no audible breakup. Precisely engineered crossover circuits integrate each driver with the others so that they appear to your ears to be a single driver producing sound. Scientifically placed drivers and bass-reflex ports on the loudspeakers play a crucial role in their ability to recreate a realistic soundfield.

So how is this approach different than other brands? Many other loudspeaker manufacturers emphasize on-axis response with less regard for in-room behavior. The result is a loudspeaker that can’t be depended on to happily co-exist in your room in two ways. First, perceived tonal neutrality depends on the ‘color’ of reflections in a room as well as direct sound. Our aim is to make sure that reflected energy sounds like direct energy. Second, proper recreation of soundstages including correct scale, width, and depth depends on maintaining proper harmonic relationships of recorded sounds. Without the integrity of these sounds, our brains are unable to synthesize placement of sounds in three dimensional space.

Because Bryston loudspeakers are designed to sound realistic across a broader than average listening window, you don’t need to sit up straight in just the right sweet spot. Feel free to relax a little off the center line where you’ll be most comfortable. You’ll still be able to close your eyes and swear you’re hearing the real thing.



# Family of CURVES





Reference is a word often bandied about audio circles. Implied is that the device at hand is one that all other components can be compared against in order to determine their strengths and weaknesses. Inherently, it doesn't mean "best".

Instead, we consider the Model T Signature, to be an instrument - a tool so accurate and precise that it can be used to measure the quality of the recordings you choose to play through it.

**PERFORMANCE** The vast full range presentation of tones and colors in your music are played back at their full richness and timbre. Performance spaces are created before you as intimate as a small studio or as grand as the most arresting symphony hall. The emotion and charisma of your favorite movie soundtracks and music are unabated by the ill effects of compression or other dynamic distortion common to even the most expensive home loudspeakers.

**DRIVERS** Three 8 inch bass drivers, two midranges, and two titanium dome tweeters are each custom designed to work in perfect synergy with our top-of-the-line outboard Signature Edition crossover (pictured), or high performance built in crossover that comes standard with the Model T Passive.

**ENCLOSURE** Each of the drivers is bolted to the front of a 1½ inch thick front baffle and surrounded by the robust ¾ inch walls and braces which, together, comprise a 108 pound master work elegantly wrapped in your choice of fine grade veneer.

**ACCESSORIES** Black fabric grilles are standard. Also included as standard equipment are padded furniture feet, carpet spikes, and binding post wrench. Also available are attractive and functional outriggers (pictured) with larger spikes which increase the stability of the loudspeaker.





HOME THEATER  
REVIEW.COM  
**2014**  
BEST OF AWARD

Power and ease meet grace and nuance in the Bryston Middle T loudspeaker. The understated style and neat proportions yet extraordinary performance of this model make it ideally suited for home theater or stereo use in rooms which demand world class fidelity without the towering visual dominance of our largest floor standing models.

**PERFORMANCE** The Middle T offers astonishing impact and clarity for a loudspeaker of its size. Anticipate startling presence, deep and tight bass, and clear, truthful midrange and upper frequencies. The Middle T delivers a level of performance that is unqualified by size or price.

**DRIVERS** Deep bass extends to 33Hz thanks to twin 8 inch custom woofers loaded in a rear-ported cabinet. Bryston's proprietary midrange and tweeter ably replay their respective ranges with absolute accuracy in tone and detail. Both the midrange and woofers feature special ceramic-coated aluminum diaphragms, long throw suspensions, and very powerful motors. A lightning fast titanium dome tweeter achieves remarkable detail due to uncommon strength to weight ratio.

**ENCLOSURE** Though not as tall as the Model T, the footprint and construction philosophy remains the same. The extensively braced cabinet boasts 3/4 inch thick walls. A massive 1½ inch thick baffle ensure that the only sound you hear from these speakers comes from the unique set of purpose built drivers.

**ACCESSORIES** Black fabric grilles are standard. Also included as standard equipment are padded furniture feet, carpet spikes, and binding post wrench. Also available are attractive and functional outriggers with larger spikes which increase the stability of the loudspeaker.

**BRYSTON**

**MIDDLE T**





Bookshelf as a category technically fits the Mini T form factor, but perhaps it is better described as a compact loudspeaker. At nearly two feet tall and 42 pounds, its heft may be out of place beside your collection of literature.

**PERFORMANCE** Size isn't the point of pride with the Mini T, the smallest of the T Series. Unusually for a bookshelf or stand-mounted loudspeaker, this is a 3-way monitor featuring a high power 8 inch bass driver. Like its larger siblings, dynamics and low frequencies are reproduced with a realistic sense of scale typically sacrificed when purchasing small speakers.

**DRIVERS** Even in a relatively small package, Bryston's custom 8 inch woofer, midrange and tweeter fit neatly on the front baffle. Bandwidth remains wide plunging to 33Hz in the bass region to 20kHz on top. Each driver is powered by FEA optimized motor systems and assembled in an ultra-rigid die-cast aluminum chassis which resists sympathetic vibrations that would otherwise feedback through the front of the drivers.

**ENCLOSURE** Though small, the Mini T espouses each of the cabinet construction principles found in all other models in the T Series. Heavy walls and a double-thick front baffle are anchored securely by a robust bracing lattice. Like other Bryston speakers, the Mini T is virtually uncolored by enclosure or port resonances.

**ACCESSORIES** Magnetically attached black fabric grilles are standard. With the speaker comes padded feet and spikes each of which may be screwed into threaded inserts found at the base of the loudspeaker. Padded feet (pictured left) are suitable for protecting hard surfaces beneath the speaker from damage. Spikes provide a sturdy coupling to softer shelf materials. Also available are custom stands which elevate the speaker from the floor to the ideal listening height. Each stand has a heavy cast base and the columns can be filled with weights (available from Bryston) for extra damping and stability.



# BRYSTON

## TC1 CENTER

Modern multi channel movie soundtracks do not favor left and right main speakers over all others. For the best experience, your center channel needs to be every bit as rich and dynamic as your front left and right loudspeakers. Only the TC1 center channel has the unique ability to keep pace with the Model T and other highly dynamic full range models.

**PERFORMANCE** Performance requirements from a center channel are no different than those of any other channel. Compared to other center channel loudspeakers, you'll immediately notice how large the TC1 is. Unlike other brands that partner comparably small center speakers with their flagship towers, Bryston makes no such sacrifice in dynamic range or bass power for those who demand excellence with no compromise.

**DRIVERS** Two of each woofer, midrange, and tweeter pack the front baffle. Like other large Bryston speakers, we use twin drivers for each section to achieve realistic dynamic range levels. Only the TC1 will match the remarkable range of the Model T. Because these are the same drivers found in the left and right channels, you can be certain of exceptional timbre matching for smooth pans and effortless suspension of disbelief when enjoying movies in your home theatre.

**ENCLOSURE** Much of the 108 pound heft of the massive TC1 is due to extraordinary measures undertaken to mitigate cabinet resonances which are often responsible for distortion. The  $\frac{3}{4}$  inch thick walls and  $1\frac{1}{2}$  inch thick front baffle are rigidly braced internally thereby virtually eliminating the acoustic ill effects of enclosure vibration.

**ACCESSORIES** Black fabric grilles are provided. Also with the speaker comes padded feet and spikes each of which may be screwed into the base of the loudspeaker. Padded feet are suitable for protecting hard surfaces beneath the speaker from damage. Spikes provide a sturdy coupling to softer shelf materials. Custom steel stands are available separately.





BRYSTON

TC1 CENTER  
MINI

Critical to the performance of any home theater is a very close timbre match between all speaker channels. When each speaker in a multi-channel playback system sounds just like the others, suspension of disbelief requires little imagination.

**PERFORMANCE** A center channel's performance requirements are the same as any other speaker. It must be clear, spacious, neutral and dynamic. This three way was designed to possess each of these characteristics with abundance. Like all other Bryston products, the goal is accurate playback. It's a perfect match for all Bryston main channel loudspeakers.

**DRIVERS** Flanked by two Bryston 8 inch bass drivers lies the same tweeter and midrange found in other T Series loudspeaker. Filtered by a carefully engineered crossover, these drivers blend seamlessly with the Mini T, Middle T, and Model T main channel loudspeakers.

**ENCLOSURE** Redefining the prefix mini, the smallest T Series center channel still weighs in at a whopping 55 pounds and measures 29 inches in length. Much of the weight comes from the robust cabinet walls and large bracing network found within.

**ACCESSORIES** Black fabric grilles are provided. Also with the speaker comes padded feet and spikes each of which may be screwed into the base of the loudspeaker. Padded feet are suitable for protecting hard surfaces beneath the speaker from damage. Spikes provide a sturdy coupling to softer shelf materials. Custom steel stands are available separately.







When the bass in any audio system is right, the impact and depth can rattle your core. Correct bass is tight, tuneful, fast, dynamic and deep. Just like any other speaker, a subwoofer should be accurate, and Bryston's subs deliver on all counts..

**PERFORMANCE** The large Model T sub sports a powerful 600 watt amplifier that drives three Bryston 8 inch bass drivers to extreme depths below 20Hz at SPL levels up to 108dB. The Mini T Sub, being somewhat smaller, plays with exceptional authority down to 25Hz at the same 108dB output level as the larger model.

**DRIVERS** Utilizing multiple 8 inch sub-bass drivers provides an enormous amount of displacement capability to move air - just what is needed for dynamic bass output. Visually similar to those found in the full range Bryston speakers, the drivers feature custom suspensions which allow very long throw and custom voice coils which can take a punishing amount of power over long periods of time without suffering compression, distortion, or thermal breakdown.

**AMPLIFIER** Our subwoofer amplifier operates in a Class D configuration in order to supply large amounts of power quickly for dynamic range and control, but features a classic linear power supply which can provide current on demand without polluting the signal path with high frequency switching noise commonly found on competitive subwoofer amplifiers.

**ACCESSORIES** Black fabric grilles are provided. Also with the speaker comes padded feet and spikes each of which may be screwed into threaded inserts found at the base of the loudspeaker. Padded feet (pictured) are suitable for protecting hard floors. Spikes are recommended for carpet.





Though slightly smaller and less expensive than our Model T, this A Series flagship remains formidable. Based upon our custom 6½ inch bass driver trio, the A1 still provides very deep and articulate bass. The midranges and tweeters are no different than those found in the Model T series.

**PERFORMANCE** The colorful palette of your music and movies can be beautifully rendered with this high performance seven driver three way tower. Clear, clean, deep and powerful, these speakers are equally adept at home theater soundtrack or world class two channel stereo music playback.

**DRIVERS** Two of each aluminum cone midrange and titanium diaphragm tweeters join with our newly developed high output / low distortion trio of 6½ bass drivers to produce very natural and highly realistic sound reproduction.

**ENCLOSURE** Taking inspiration from the larger and more expensive Model T, the A1 features ¾ inch thick cabinet construction and lots of internal bracing unequally spaced to ensure that no two surfaces are mathematically prone to resonate at the same frequency.

**ACCESSORIES** Black fabric grilles are provided. The speaker also comes with padded feet and spikes each of which may be screwed into threaded inserts found at the base of the loudspeaker. Padded feet (pictured left) are suitable for protecting hard floors beneath the speaker from damage. Spikes are recommended for use on carpet.





Slightly smaller than the tall and slender A1, is the A2. Featuring only one less woofer, the 39½ inch tall floor stander still shares most of the characteristics that make the A1 so remarkable but in a smaller tower.

**PERFORMANCE** Even having one fewer woofer, bass is still remarkably strong and clean down to the same 31Hz as the bigger A1. Only output level is slightly reduced which makes the A2 an easy choice if you prefer the more compact cabinet.

**DRIVERS** Bryston's proprietary aluminum cone midranges and titanium diaphragm tweeters join with our newly developed high output / low distortion twin 6½ bass drivers to produce very natural and highly dramatic audio reproduction.

**ENCLOSURE** Taking inspiration from the larger and more expensive Model T, the A2 features ¾ inch thick cabinet construction and lots of internal bracing eccentrically spaced to ensure that no two surfaces are mathematically prone to resonate at the same frequency. Two computer optimized ports on the rear and one on the front perfectly tune the bass output.

**ACCESSORIES** Black fabric grilles are provided. Also with the speaker comes padded feet and spikes each of which may be screwed into threaded inserts found at the base of the loudspeaker. Padded feet (pictured left) are suitable for protecting hard floors beneath the speaker from damage. Spikes are recommended for use on carpet.





Our smallest floorstanding loudspeaker is the A3. In this diminutive package you'll find much bigger sound than you previously thought capable of such a small tower.

**PERFORMANCE** Our only 6 ohm floorstanding loudspeaker is a comparably easy load to drive for amplifiers of modest power. This makes it a good match for integrated amplifiers or even home theater receivers. Bass that extends down to 40Hz and 250 watt power handling promise plenty of excitement and startling dynamics free of acoustic compression.

**DRIVERS** A pair of identical custom 6½ bass drivers support a single Bryston midrange and Bryston tweeter to create a high end three way driver complement capable high resolution and wide bandwidth.

**ENCLOSURE** Elegant and attractive, the simple styling and modest size of the A3 is no less robust than the larger A Series speakers. Each wall is ¾ inch thick MDF and securely fastened to all others with a robust bracing structure. Two rear firing ports augment the single vent at the front to augment the woofers for precise and powerful bass free of audible resonances.

**ACCESSORIES** Black fabric grilles are provided. Also with the speaker comes padded feet and spikes each of which may be screwed into threaded inserts found at the base of the loudspeaker. Padded feet (pictured left) are suitable for protecting hard floors beneath the speaker from damage. Spikes are recommended for use on carpet.





The first step in transforming your two channel stereo into a home theater is adding a center channel. The AC1 Mini is the perfect companion to all Bryston A Series main channels. Timbre matched and developed using the same materials and techniques in the same anechoic chamber, dialogue and all other center channel content will blend seamlessly with your front and surround A Series loudspeakers.

**PERFORMANCE** The AC1Mini is dynamic enough to keep pace with today's feature films, yet more than detailed enough to carry all the emotion found in the classics filmed during the golden age of cinema.

**DRIVERS** Each driver is derived from the A Series main channels, so expect a perfect blend with your front and surround speakers. The AC1 Mini leaves no gap in performance compared to the A Series floorstanding models to which it is the intended companion.

**ENCLOSURE** Three fourths inch thick MDF is wrapped around a strong skeleton of internal bracing which is strategically designed so that no cabinet resonances discolor the pure and detailed sound radiating from the drivers.

**ACCESSORIES** Padded aluminum furniture feet and threaded spikes are included. A custom center channel speaker stand is available for an additional cost.

Most bookshelf speakers this size are two-way models lacking a true midrange driver, but Bryston's Mini A bucks the trend in order to provide dynamics and bandwidth surprising for such a small loudspeaker. The Mini A is ideal for any small yet precise music system, home theater, or desktop audio system. Or, mount them on the wall or upon stands to play as rear surrounds. They are as amazing as they are versatile.

**PERFORMANCE** By making this small bookshelf speaker a three-way, we can not only let the woofer extend deeper to deliver true bass, but we can implement a dedicated midrange driver to ensure neutral sound throughout this critical frequency range.

**DRIVERS** Our 6½ aluminum cone woofer handles bass and lower midrange before handing off to the custom 3 inch aluminum midrange and the same titanium dome tweeter found in all other Bryston loudspeakers.

**ENCLOSURE** Following well documented Bryston practice of robust cabinets, the Mini A is encased in a ¾ inch thick MDF enclosure braced to prevent unwanted resonances preserving carefully engineered sound quality made possible by our custom drivers and crossovers.

**ACCESSORIES** Padded aluminum furniture feet and threaded spikes are included. Black steel speaker stands are available at additional cost.





# BRYSTON MODEL A SUB



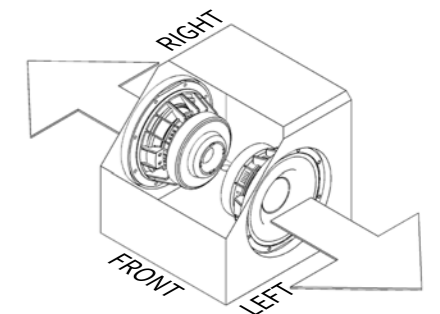
The Model A Subwoofer is the only member of the family not anchored by 6½ bass drivers. With two 10" drivers placed opposite each other on the cabinet, any vibrations induced into the enclosure are cancelled thereby preventing cabinet coloration from distorting the midrange of your full-range channels.

**PERFORMANCE** Highly accurate bass knows no difference between thunderous action movie soundtracks and grooving music playback. Crossover, phase, and level adjustments on the Bryston 400 watt built-in amplifier give you the ability to create the perfect blend with any Bryston Model T, A or any other brand loudspeaker system.

**DRIVERS** Dual 10 inch side-firing drivers oppose each other on the left and right panels of the cabinet. Each driver features a long throw and huge radiating area to recreate even difficult bass soundtracks with ease.

**ENCLOSURE** An unusually strong ¾ inch MDF cabinet veneered in your choice of finish is rugged and well braced. Dual rear-facing vortex ports extend the low frequency limit but don't chuff or distort even under high output conditions. The Bryston 400 watt amplifier is mounted in its own box to prevent airleaks.

**ACCESSORIES** Rubberized aluminum leveling feet and a heavy gauge AC line cord are included.



Such a compact loudspeaker belies a startling surprise. Big sound from this small center channel is a perfect match for your Mini A loudspeakers. Perhaps your big TV leaves little room for a center speaker? The AC1 Micro is a great fit for tight spaces.

**PERFORMANCE** Small size doesn't mean compromised performance. Superb dynamic range, utter neutrality through the critical vocal range, and ultra-clear high frequency performance are all hallmarks of the design.

**DRIVERS** Two 5¼ inch aluminum cone mid-bass drivers flank a single Bryston titanium dome tweeter for a compact MTM configuration. All three drivers sound as one to create an uncanny out-of-the-box sound.

**ENCLOSURE** Like other Bryston A Series loudspeakers, the very robust enclosure is constructed of ¾ inch MDF and strongly braced. The cabinet is sealed making near-wall placement possible without extra bass loading. The rear panel also includes threaded mounting holes for on-wall brackets.



# BRYSTON CENTER AC1 MICRO





## BRYSTON T ON-WALL

For those who want superb sound but prefer not to take up floor space with a conventional loudspeaker, Bryston offers the TOW on-wall solution. The TOW is an ultra high performance loudspeaker designed to blend with any decor yet fill your room with magnificent lifelike music.

**PERFORMANCE** The Bryston TOW is marked by tremendous dynamic capability and absence of compression, neutral tone, and remarkable clarity. It is easy to mount and a joy to hear.

**DRIVERS** A 6½ woofer, 3 inch aluminum midrange, and our titanium dome tweeter are no-compromise drivers that yield clean, flat, and spacious sound.

**ENCLOSURE** Even this compact cabinet is built from dense ¾ inch thick MDF and laminated with your choice of veneer. Deep bass is achieved by two vents strategically placed on the bottom of the loudspeaker.

**ACCESSORIES** An elegant magnetic cloth grille is included. Also included is a unique mounting bracket which makes speaker wire routing simple and hanging the speaker on the wall both secure and easy.

In-wall speakers are usually considered a compromise built with cheap drivers and often without any sort of enclosure. But Bryston has carefully engineered our TIW to overcome these shortfalls and be a top performer.

**PERFORMANCE** Unlike many in-wall speakers that only manage to gently play background music throughout the house, the TIW is a real high performance model. Maximum output of up to 100dB and flat frequency response from 70Hz to 20kHz make it suitable not only for distributed music throughout the home, but also in a home theater or discreet audiophile stereo.

**DRIVERS** A 6½ woofer, 3 inch aluminum midrange, and our titanium dome tweeter are no-compromise drivers that yield clean, flat, and spacious sound.

**ENCLOSURE** Yes! An enclosure is custom molded and permanently installed on our TIW loudspeaker. Including a back-box improves clarity, bass, and tone throughout the spectrum. Also, our slightly raised bezel dramatically improves the ability of the speaker to re-create the sense of depth found in your favorite recordings.

**ACCESSORIES** A perforated metal grille is included. The bezel and grille are paintable to match your walls and surrounding décor.



## BRYSTON T IN-WALL



	Model T	Middle T	Mini T	TC1
<b>Frequency Response (<math>\pm 3\text{dB}</math>)</b>	25Hz - 20kHz	33Hz - 22kHz	33Hz - 20kHz	35Hz - 20kHz
<b>Sensitivity (2.83V, 1m, anechoic)</b>	89dB	88dB	86dB	91dB
<b>Nominal Impedance</b>	4 Ohms	4 Ohms	4 Ohms	4 Ohms
<b>Crossover</b>	3-Way	3-Way	3-Way	3-Way
<b>No. Drivers</b>	3-Bass, 2-Midrange, 2-Tweeter	2-Bass, 1-Midrange, 1-Tweeter	1-Bass, 1-Midrange, 1-Tweeter	2-Bass, 2-Midrange, 2-Tweeter
<b>Size (H x W x D)</b>	52.5 x 10.5 x 16.5 in. 133.4 x 26.7 x 41.9 cm.	39.5 x 10.5 x 16.5 in. 100 x 26.7 x 41.9 cm.	22.5 x 10.5 x 10 in. 57.1 x 26.7 x 25 cm.	10.5 x 39.5 x 16.5 in. 26.7 x 100.3 x 41.9 cm.
<b>Weight (unpacked)</b>	107 lbs. 48.5 kgs.	81 lbs. 37 kgs.	42 lbs. 19 kgs.	108 lbs. 49 kgs.
<b>Min/Max Rec. Power</b>	10 - 500 Watts RMS	10 - 250 Watts RMS	10 - 250 Watts RMS	10 - 500 Watts RMS
<b>Max SPL @ 1m</b>	118dB	112dB	112dB	118dB

	Model A1	A2	A3	Mini A
<b>Frequency Response (<math>\pm 3\text{dB}</math>)</b>	31Hz - 20kHz	31Hz - 20kHz	40Hz - 20kHz	60Hz - 20kHz
<b>Sensitivity (2.83V, 1m, anechoic)</b>	88dB	87dB	86dB	87dB
<b>Nominal Impedance</b>	4 Ohms	4 Ohms	6 Ohms	8 Ohms
<b>Crossover</b>	3-Way	3-Way	3-Way	3-Way
<b>No. Drivers</b>	3-Bass, 2-Midrange, 2-Tweeter	2-Bass, 2-Midrange, 2-Tweeter	2-Bass, 1-Midrange, 1-Tweeter	1-Bass, 1-Midrange, 1-Tweeter
<b>Size (H x W x D)</b>	47.5 x 9.25 x 17 in. 120.7 x 23.5 x 43.2 cm.	39.5 x 9.25 x 17 in. 100 x 23.5 x 43.2 cm.	37.5 x 9.25 x 15 in. 95.3 x 23.5 x 38.1 cm.	15.5 x 8.5 x 8.25 in. 39.4 x 21.6 x 21 cm.
<b>Weight (unpacked)</b>	70 lbs. 32 kgs.	62 lbs. 28 kgs.	53 lbs. 24 kgs.	11 lbs. 5 kgs.
<b>Min/Max Rec. Power</b>	10 - 400 Watts RMS	10 - 400 Watts RMS	10 - 250 Watts RMS	10 - 175 Watts RMS
<b>Max SPL @ 1m</b>	114dB	114dB	111dB	100dB

	TC1 Mini		Model T Sub	Mini T Sub	Model A Sub
<b>Frequency Response (<math>\pm 3\text{dB}</math>)</b>	40Hz - 20kHz	<b>Frequency Response (<math>\pm 3\text{dB}</math>)</b>	18Hz - 150Hz	25Hz - 150Hz	28Hz-150Hz
<b>Sensitivity (2.83V, 1m, anechoic)</b>	88dB	<b>Built-In Amplifier Power</b>	600 Watts RMS	600 Watts RMS	400 Watts RMS
<b>Nominal Impedance</b>	4 Ohms	<b>Inputs Outputs</b>	RCA, XLR, Hi-Level RCA, XLR	RCA, XLR, Hi-Level RCA, XLR	RCA, Hi-Level RCA,
<b>Crossover</b>	3-Way	<b>Crossover (Hz) Phase (Degrees)</b>	40, 60, 80, 100, 150 0, 180	40, 60, 80, 100, 150 0, 180	80, 150 0, 180
<b>No. Drivers</b>	2-Bass, 1-Midrange, 1-Tweeter	<b>No. Drivers</b>	3 8" Al Cone	2 8" Al Cone	2 10" Al Cone
<b>Size (H x W x D)</b>	10.5 x 29 x 10 in. 26.7 x 73.5 x 25 cm.	<b>Size (H x W x D)</b>	38.8 x 10.5 x 16.8 in. 98.5 x 26.7 x 42.4 cm.	24 x 10.5 x 16.8 in. 61 x 26.7 x 42.4 cm.	17 x 17.75 x 15.25 in. 43 x 45 x 38.5 cm.
<b>Weight (unpacked)</b>	55 lbs. 25 kgs.	<b>Weight (unpacked)</b>	105 lbs. 48 kgs.	89 lbs. 40 kgs.	48 lbs. 22 kgs.
<b>Min/Max Rec. Power</b>	10 - 250 Watts RMS	<b>Volume Control</b>	Yes	Yes	Yes
<b>Max SPL @ 1m</b>	112dB	<b>Max SPL @ 1m</b>	108dB	108dB	110dB

	AC1 Mini	AC1 Micro	TIW In-Wall	TOW On-Wall
<b>Frequency Response (<math>\pm 3\text{dB}</math>)</b>	45Hz - 20kHz	95Hz - 20kHz	70Hz - 20kHz	70Hz - 20kHz
<b>Sensitivity (2.83V, 1m, anechoic)</b>	86dB	90dB	87dB	87dB
<b>Nominal Impedance</b>	6 Ohms	8 Ohms	8 Ohms	8 Ohms
<b>Crossover</b>	3-Way	2-Way	3-Way	3-Way
<b>No. Drivers</b>	2-Bass, 1-Midrange, 1-Tweeter	2-Midbass, 1-Tweeter	1-Bass, 1-Midrange, 1-Tweeter	1-Bass, 1-Midrange, 1-Tweeter
<b>Size (H x W x D)</b>	11.5 x 30 x 13.9 in. 29.2 x 76 x 35.2 cm.	7.5 x 17 x 7.5 in. 19.1 x 43.2 x 19.1 cm.	14 x 7.75 x 3.45 in. 35.6 x 19.6 x 8.8 cm.	13.5 x 9.5 x 3.5 in. 34.5 x 24.4 x 9.1 cm.
<b>Weight (unpacked)</b>	48 lbs. 22 kgs.	14.1 lbs. 6.4 kgs.	11 lbs. 5 kgs.	11 lbs. 5 kgs.
<b>Min/Max Rec. Power</b>	10 - 250 Watts RMS	10 - 200 Watts RMS	10-175 Watts RMS	10-175 Watts RMS
<b>Max SPL @ 1m</b>	111dB		100dB	100dB



# BRYSTON

677 Neal Drive | Peterborough, Ontario K9J 7Y4 | Canada  
ph. 1-705-742-5325 | fx. 1-705-742-0882 | [contact@bryston.com](mailto:contact@bryston.com)  
[www.bryston.com](http://www.bryston.com)