



Disappears.



FATHOM® IWS

IN - WALL SUBWOOFER SYSTEMS

The same minds that engineered JL Audio's reference-grade Fathom® and Gotham® powered subwoofers have created an amazing in-wall subwoofer solution, centered on an groundbreaking, thin-line driver design with innovative technologies.

Housing this exotic driver, is a critically engineered enclosure with a unique floating mount design to minimize wall excitation. The enclosure utilizes extensive architectural features aimed at improving rigidity while keeping a very low profile and minimal wall thickness.

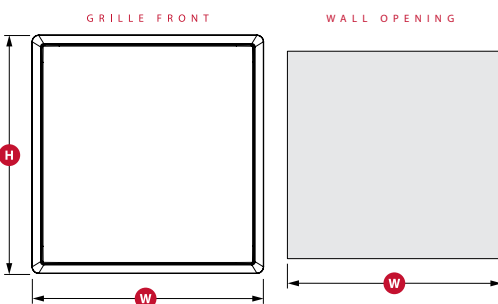
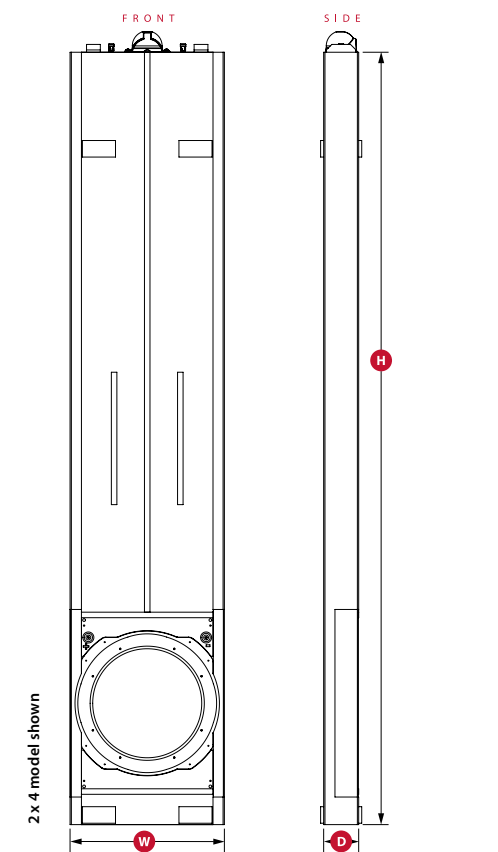
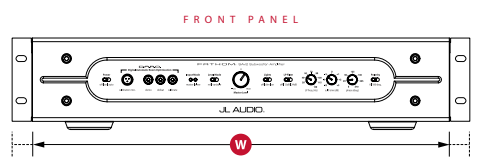
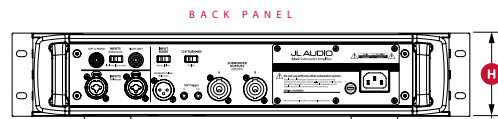
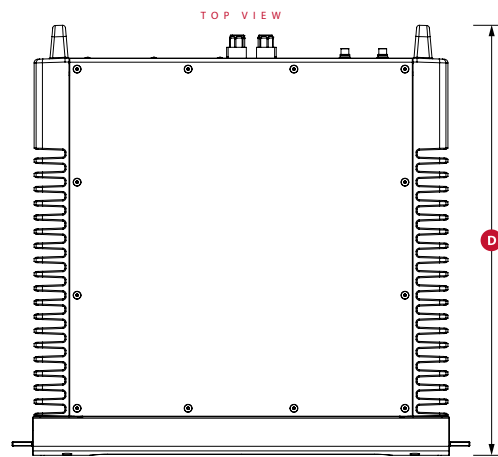
A paintable fine steel-mesh grille, designed to control vibration, is included for each enclosure in a system.

Each IWSv2 system is driven by a rack-mountable, purpose-tuned amplifier, capable of delivering up to 2 kW of clean power. JL Audio's powerful DSP engine is also on-hand, including our exclusive Digital Automatic Room Optimization (D.A.R.O.) system to ensure a smooth response, even in challenging rooms.

There is no need to lower your expectations when selecting this remarkable in-wall solution... it's a real Fathom®.

13.5-inch Fathom® IWSv2 Specifications:

	Fathom® IWSv2-SYS-113	Fathom® IWSv2-SYS-213
Enclosure Type:	Single Sealed Enclosure	Two Sealed Enclosures
Driver(s):	13.5-inch (nominal diameter)	13.5-inch (nominal diameter) in each of two enclosures
Frequency Response (anechoic):	26 Hz - 101 Hz (+/- 1.5 dB) -3dB at 25 Hz / 112 Hz -10dB at 22 Hz / 150 Hz	26 Hz - 101 Hz (+/- 1.5 dB) -3dB at 25 Hz / 112 Hz -10dB at 22 Hz / 150 Hz
Effective Piston Area:	98.26 sq. in. 0.0634 sq. m.	196.51 sq. in. 0.1268 sq. m.
Effective Displacement:	147.3 cu. in. (2.41 liters)	294.6 cu. in. (4.82 liters)
Amplifier Power:	1000 watts RMS short-term	2000 watts RMS short-term
2 x 4 Enclosure Dimensions: (H) Height x (W) Width x (D) Depth Measurements do not include padding material.	70 in. x 13.75 in. x 2.9 in. 1,778 mm x 349 mm x 74 mm	
2 x 6 Enclosure Dimensions: (H) Height x (W) Width x (D) Depth Measurements do not include padding material.	55 in. x 13.75 in. x 4.70 in. 1,397 mm x 349 mm x 119 mm	
Cabinet Finish:	Black Texture-Coated	
Amplifier Dimensions: (H) Height x (W) Width x (D) Depth Height Dimensions DO NOT include feet.	3.5 in. x 17.4 in. x 17.9 in. 89 mm x 442 mm x 455 mm	
Amplifier Net Weight:	35 lbs. (15.9 kg)	43 lbs. (19.5 kg)
Grille Dimensions: (H) Height x (W) Width	17.64 inches x 17.14 inches 448 mm x 435 mm	
Wall Opening Dimensions: (H) Height x (W) Width	16 inches x 16.5 inches 406 mm x 419 mm	
Grille Finish:	White (paintable)	



13.5-inch Fathom® IWS-SYSv2 Features:

Unbalanced Inputs: Stereo or Mono (two RCA jacks)	Low Pass Filter Mode: Off, 12 dB per octave or 24 dB per octave
Balanced Inputs: Stereo or Mono (two female XLR jacks)	Low Pass Filter Crossover Frequency: Variable from 30 Hz – 130 Hz
Output To Slave: Balanced (one male XLR jack)	Polarity: 0 or 180 degrees
Speaker Outputs: Neutrik speak-On® 2-Pole Connectors (uses Neutrik part: NL2FX, included)	Phase: Variable from 0 – 280 degrees, referenced to 80 Hz
Input Modes: Master or Slave	E.L.F. Trim: Variable from -12 dB to +3 dB at 23 Hz
Level Modes: Reference (fixed gain) or Variable from full mute to +15 dB over reference gain	Digital Automatic Room Optimization (D. A.R.O.): Automatic, 18-band equalizer with included laboratory-grade calibration microphone, defeatable
Power Modes: Off, On or Automatic (Signal-Sensing or 12V Trigger)	12V Trigger Output Capacity: 150 mA (1/8-inch/3.5mm mini jack)
Light Modes: Off, On or Dim	Built in USA, with global components: Subwoofer Enclosure and Subwoofer Driver (Amplifier is manufactured in China)

SKU#97184 092017
Printed in U.S.A.



"JL Audio", "Ahead of the Curve", "Gotham", "Fathom" and the JL Audio logo are registered trademarks of JL Audio, Inc. ©2017 JL Audio, Inc. • Due to our policy of continuous product development, all specifications are subject to change without notice.

www.jlaudio.com
10369 North Commerce Parkway • Miramar, Florida • 33025 • USA

